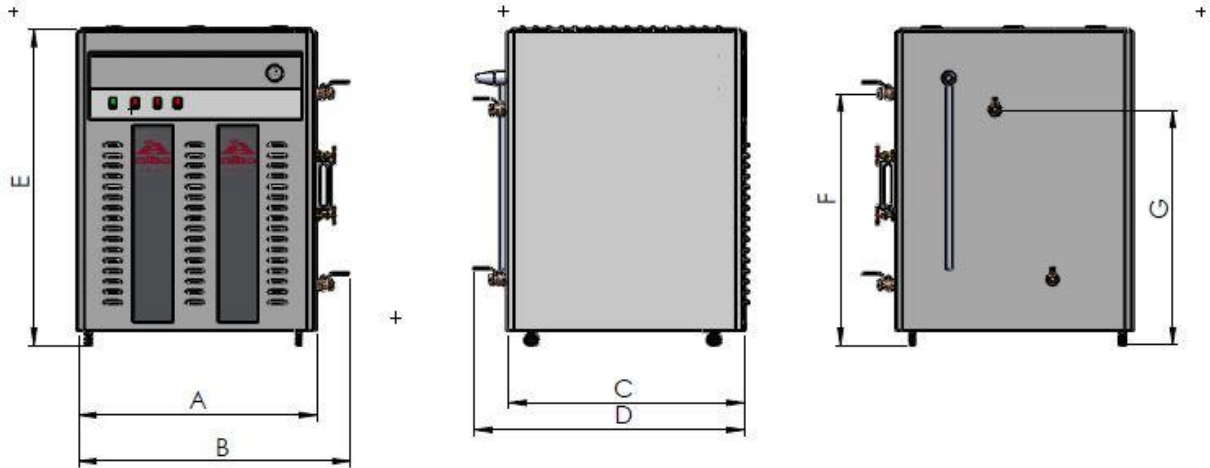


## D01 Electric Steam Boiler Dimensions



<b>Electrical Boiler</b>	<b>D01-1</b>	<b>D01-2</b>	<b>D01-3</b>	<b>D01-4</b>	<b>D01-5</b>	<b>D01-6</b>
<b>Heat Power</b>	<b>15 kW</b>	<b>30 kW</b>	<b>45 kW</b>	<b>60 kW</b>	<b>75 kW</b>	<b>90 kW</b>
<b>Steam Capacity</b>	<b>21,5 kg/h</b>	<b>43 kg/h</b>	<b>64,5 kg/h</b>	<b>86 kg/h</b>	<b>107 kg/h</b>	<b>129 kg/h</b>
<b>Width (A)</b>	680mm	730mm	880mm	880mm	880mm	880mm
<b>Total Width (B)</b>	820mm	870mm	1070mm	1070mm	1070mm	1070mm
<b>Depth (C)</b>	680mm	730mm	880mm	880mm	880mm	880mm
<b>Total Depth (D)</b>	750mm	800mm	1000mm	1000mm	1000mm	1000mm
<b>Height (E)</b>	930mm	1130mm	1200mm	1200mm	1200mm	1200mm
<b>Steam Output Height-1 (F)</b>	700mm	820mm	980mm	980mm	980mm	980mm
<b>Steam Output Height -2 (F)</b>	700mm	820mm	980mm	980mm	980mm	980mm