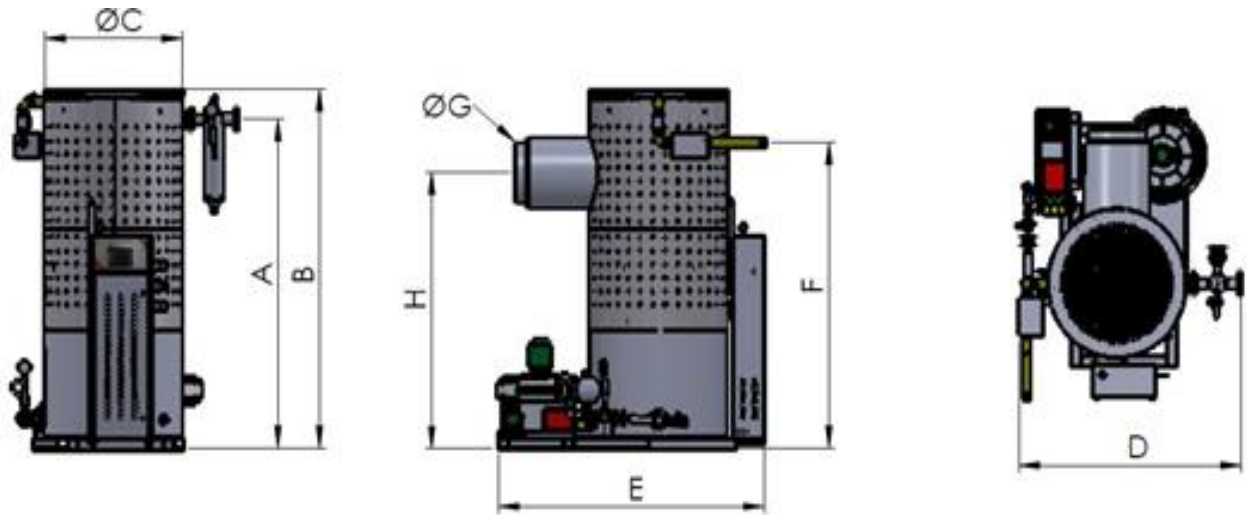


D04 Vertical Steam Generator Dimensions



Steam Generator	D04-150	D04-350	D04-500	D04-750	D04-1000	D04-1500	D04-2000
Steam Capacity	150 kg/h	350 kg/h	500 kg/h	750 kg/h	1000 kg/h	1500 kg/h	2000 kg/h
Steam Outlet Height (A)	1275mm	1600mm	1600mm	1800mm	2050mm	2455 mm	2550mm
Total Height (B)	1550mm	1800mm	1800mm	2000mm	2250mm	2675mm	2800mm
Body Diameter (C)	575mm	710mm	710 mm	810mm	860 mm	1100mm	1250mm
Width (D)	1200mm	1400mm	1400 mm	1500mm	1650 mm	1780mm	1930mm
Depth (E)	1560 mm	1680 mm	1680 mm	1700mm	1700 mm	2130mm	2250mm
Fuel Input Height (F)	1290mm	1550mm	1550 mm	1640mm	1900 mm	2275mm	2380mm
Chimney Diameter (G)	190 mm	230 mm	230 mm	310mm	310 mm	450mm	450mm
Chimney Height (H)	1135mm	1400mm	1400 mm	1560 mm	1820 mm	2050mm	2150mm