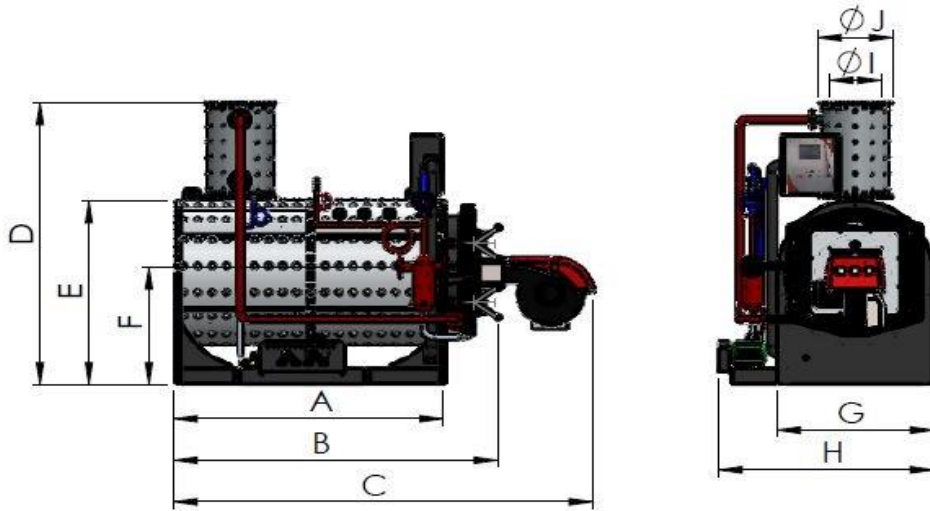
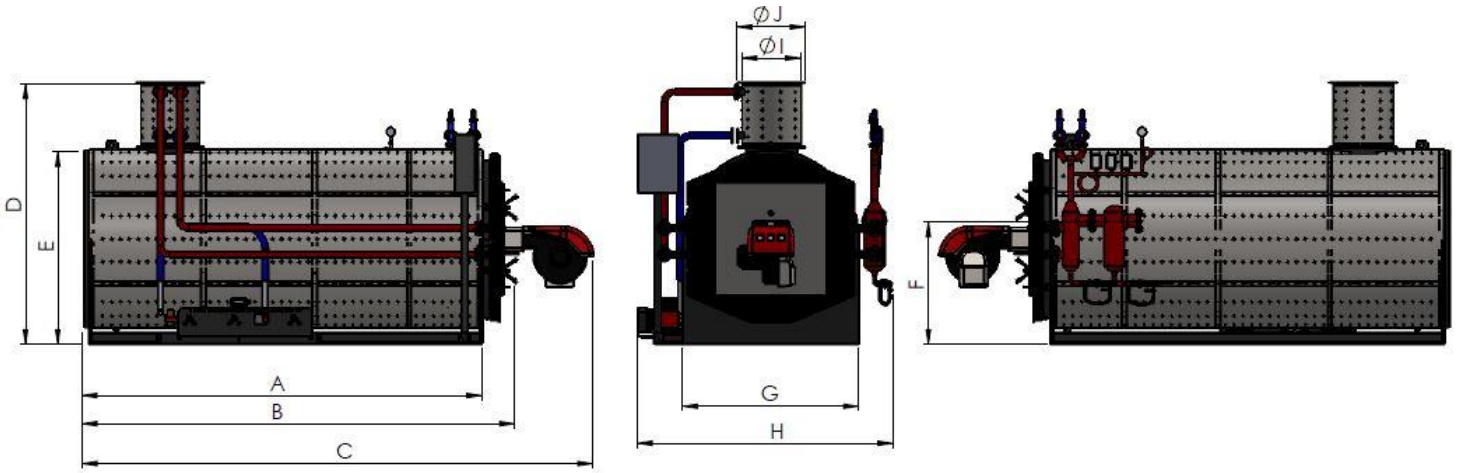


D05 Horizontal Steam Generator Dimensions



Steam Generator	D05-350	D05-500	D05-750	D05-1000	D05-1500	D05-2000
Steam Capacity	350 kg/h	500 kg/h	750 kg/h	1000 kg/h	1500 kg/h	2000 kg/h
Body Length (A)	1410 mm	1410 mm	1910 mm	1910 mm	2410 mm	2410 mm
Steam Generator Length (B)	1790 mm	1790 mm	2290 mm	2290 mm	2790 mm	2790 mm
Total Length (C)	2158 mm	2158 mm	2730 mm	2990 mm	3490 mm	3490 mm
Total Height (D)	2090 mm	2090 mm	2190 mm	2190 mm	2290 mm	2290 mm
Body Height (E)	1300 mm	1300 mm	1400 mm	1400 mm	1500 mm	1500 mm
Steam Output Height (F)	950 mm	950 mm	950 mm	950 mm	1000 mm	1000 mm
Width (G)	900 mm	900 mm	1100 mm	1100 mm	1200 mm	1350 mm
Total Width (H)	1350 mm	1350 mm	1550 mm	1550 mm	1650 mm	1800 mm
Chimney Inner Diameter (I)	365 mm	365 mm	365 mm	365 mm	445 mm	445 mm
Chimney Exterior Diameter (J)	530 mm	530 mm	530 mm	530 mm	650 mm	650 mm

D05 Horizontal Steam Generator Dimensions



Steam Generator	D05-2500	D05-3000	D05-3500	D05-4000	D05-5000	D05-6000
Steam Capacity	2500 kg/h	3000 kg/h	3500 kg/h	4000 kg/h	5000 kg/h	6000 kg/h
Body Length (A)	3150 mm	3550 mm	3850 mm	4460 mm	4460 mm	5500 mm
Steam Generator Length (B)	3590 mm	3890 mm	4150 mm	4800 mm	4800 mm	5740 mm
Total Length (C)	4325 mm	4625 mm	5210 mm	5860 mm	5860 mm	6920 mm
Total Height (D)	2340 mm	2650 mm	2685 mm	2900 mm	2900 mm	3100 mm
Body Height (E)	1680 mm	1904 mm	1930 mm	2140 mm	2140 mm	2350 mm
Steam Output Height (F)	1150 mm	1190 mm	1200 mm	1230 mm	1230 mm	1300 mm
Width (G)	1430 mm	1725 mm	1775 mm	1960 mm	1960 mm	2050 mm
Total Width (H)	2240 mm	2570 mm	2620 mm	2780 mm	2780 mm	2900 mm
Chimney Inner Diameter (I)	445 mm	445 mm	500 mm	550 mm	550 mm	650 mm
Chimney Exterior Diameter (J)	650 mm	650 mm	705 mm	755 mm	755 mm	850 mm